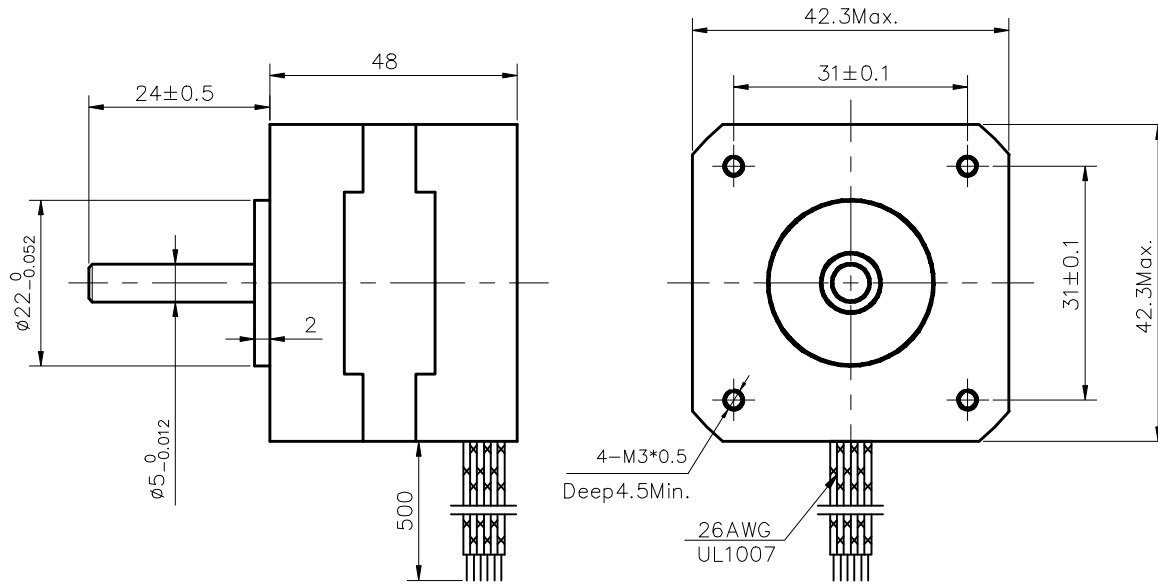
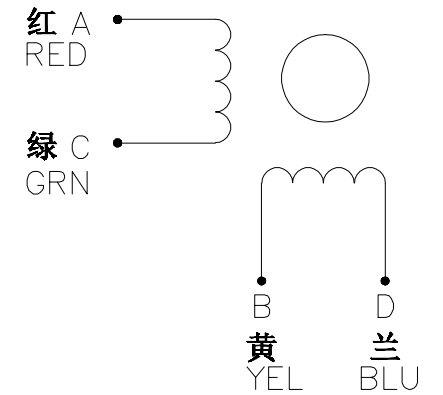


Dimension:
Unit=mm



Wiring Diagram:



Specifications:

相数	Phase	2		Comment
步距角	Step Angle	1.8	deg.	
电压	Voltage	4	V	
相电流	Current	2.5	A	
相电阻	Resistance	1.6	Ω	
相电感	Inductance	1.8	mH	
静力矩	Holding Torque	5	kg.cm	
绝缘等级	Insulation Class	B		
重量	Mass	0.34	kg	

REV.	QTY.	No.	SIG.	DATE	Title:			42HS48-2504
					Specification			
DESIGN			STD.		CLS.MAK	WEIGHT	SCALE	JKM
CHECK								
PROC.			APPR.		PAGE:	OF	PAGES	